

THIS INSTRUMENT PREPARED BY
LONDON M. CROSS OF
CARNAHAN AND ASSOCIATES, INC.
CONSULTING ENGINEERS
ENGINEERS SURVEYORS PLANNERS
6191 WEST ATLANTIC BLVD. MARGATE, FLORIDA 33063
MARCH 1992 870606P JSH

BOCA GREENS (WEST PHASE) P.U.D.

208-009

BOCA ISLES WEST PHASE IA

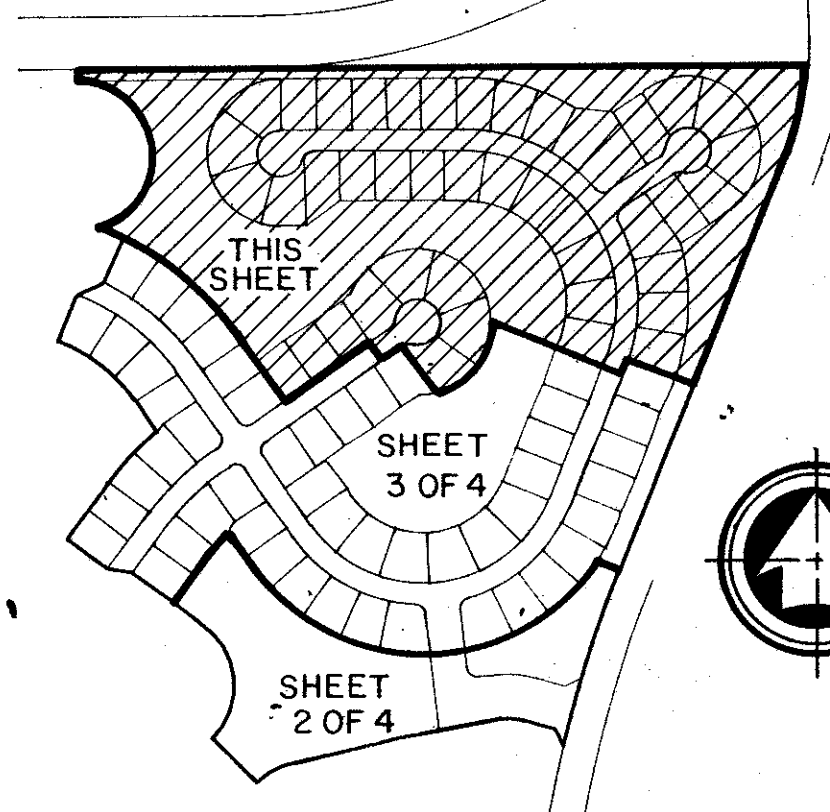
A PORTION OF SECTION 12, TOWNSHIP 47 SOUTH, RANGE 41 EAST, LYING IN PALM BEACH COUNTY, FLORIDA

PALM BEACH COUNTY, FLORIDA

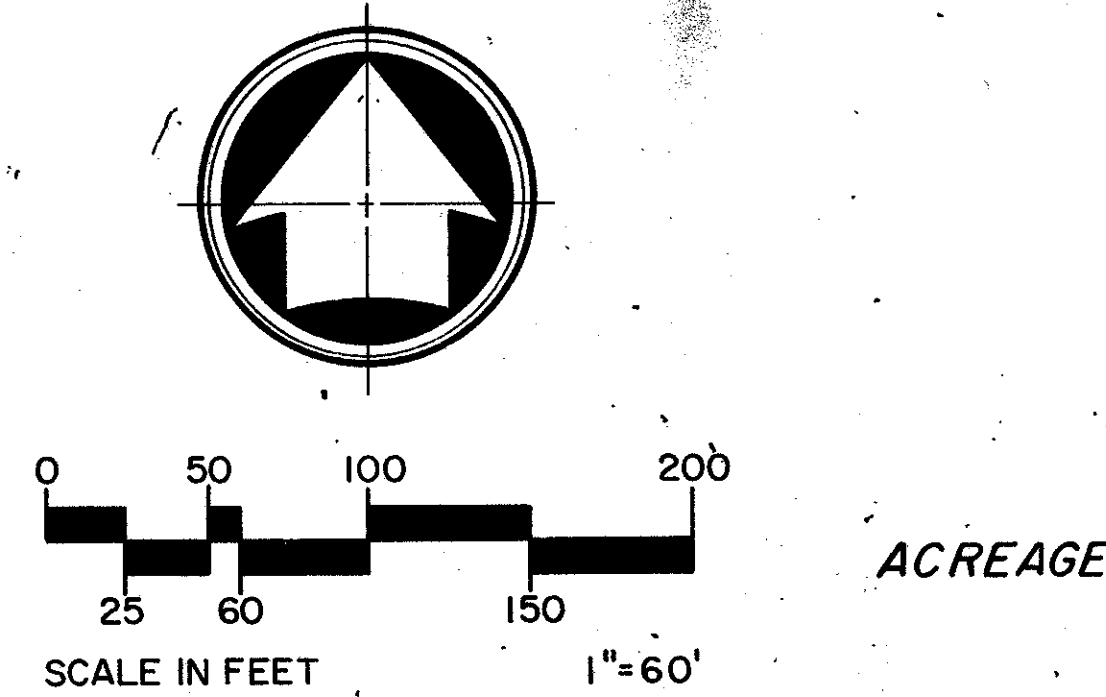
STATE OF FLORIDA
COUNTY OF PALM BEACH
THIS PLAT WAS FILED FOR
RECORD AT
THIS DAY OF
A.D., 199 AND DULY RECORDED
IN PLAT BOOK ON PAGES
AND
MILTON T. BAUER, CLERK
BY: DC

LEGEND:

- P.O.C. ----- DENOTES POINT OF COMMENCEMENT
- P.O.B. ----- DENOTES POINT OF BEGINNING
- O.R.B. ----- DENOTES OFFICIAL RECORD BOOK
- P.B.C.R. ----- DENOTES PALM BEACH COUNTY RECORDS
- P.B. ----- DENOTES PLAT BOOK
- P.U.D. ----- DENOTES PLANNED UNIT DEVELOPMENT
- D.E. ----- DENOTES DRAINAGE EASEMENT
- U.E. ----- DENOTES UTILITY EASEMENT
- L.A.E. ----- DENOTES LIMITED ACCESS EASEMENT
- DENOTES CENTER LINE
- ----- DENOTES PERMANENT REFERENCE MONUMENT (P.R.M.) P.L.S. NO. 3348
- ----- DENOTES PERMANENT CONTROL POINT (P.C.P.)
- 9,223 ----- DENOTES LOT SQUARE FOOTAGE



SHEET 4 OF 4 SHEETS



SUBDIVISION - Boca Isles West Phase
BOOK 69 PAGE 185
FLOOD MAP # 1008
ZONING RT5
QUAD # 08
SE
ZIP CODE 33434
PUD NAME Boca Greens

PET. 77-136
ALOC. #0001

0208-009

BOCA ISLES WEST PHASE IA 6/1/85

SEE SHEET 3 OF 4